

Project:
 Welch Public School

From:
 Allied Refrigeration
 Dale Stroud
 1316 Main St.
 Joplin, MO 64801-4534
 417-624-3960

Job Reference Number: 5189

Thank you for your business!

Item	Qty	Description	Sell	Sell Total
1	1 ea	ICE MAKER, CUBE-STYLE Hoshizaki Model No. KM-520MAJ Ice Maker, Cube-Style, 22"W, air-cooled, self-contained condenser, production capacity up to 556 lb/24 hours at 70°/50° (480 lb AHRI certified at 90°/70°), stainless steel finish, crescent cube style, R-404A refrigerant, 115v/60/1-ph, 10.6 amps, NSF, UL, ENERGY STAR®	\$3,420.12	\$3,420.12
	1 ea	Warranty: 3-Year parts & labor on entire machine		
	1 ea	Warranty: 5-Year parts & labor on evaporator		
	1 ea	Warranty: 5-Year parts on compressor & air-cooled condenser		
	1 ea	B-300PF Ice Bin, 22"W, top-hinged front-opening door, 300-lb ice storage capacity, for top-mounted ice maker, vinyl clad, 6" painted flange legs included, protected with H-GUARD Plus Antimicrobial Agent, ETL, ETL-Sanitation	\$1,074.30	\$1,074.30
	1 ea	Warranty: 3-Year parts & labor for bin		
			ITEM TOTAL:	\$4,494.42
2	1 ea	WATER FILTRATION SYSTEM, PARTS & ACCESSORIES Everpure Model No. EV910010 Everpure® CGS-10 Housing, 10" low profile Slim Line™ single bowl housing, polypropylene construction, water pressure gauge, pressure relief button, mounting bracket & hardware, 2.0 gpm flow rate, 30-125 PSI working pressure, 40-100°F operating temperature, 3/8" inlet/outlet	\$129.95	\$129.95
	1 ea	EV910857 Everpure® CG53-10S Filter Cartridge, high porosity design, reduces particles, cysts, scale, chlorine taste & odor, drop-in design fits most 10" bowls, submicron carbon block, 2.0 gpm flow rate, 10,000 gallon capacity, 30-125 PSI working pressure, 40-100°F operating temperature (12 each per case)	\$29.95	\$29.95
			ITEM TOTAL:	\$159.90
			Merchandise	\$4,654.32
			Freight	\$85.00
			Installation	\$275.00
			Total	\$5,014.32

Allied Refrigeration

08/03/2021

Price Quoted is Based on Being Shipped to Allied
1/2 Week Lead Time Once Order is Placed.
Quote is good for 30 days

Acceptance: _____ Date: _____

Printed Name: _____

Project Grand Total: \$5,014.32



KM-350/520/660M_J

SLIM-LINE MODULAR CRESCENT CUBER



KM-350/520/660M_J
02/05/20
Item # 13260

W x D x H
22" x 27³/₈" x 28"

KM|EDGE
ICE MACHINE SERIES

Air-Cooled

- KM-350MAJ ★
- KM-520MAJ ★
- KM-660MAJ

Air-cooled model shown on optional bin: B-300



Water-Cooled

- KM-350MWJ
- KM-520MWJ
- KM-660MWJ

Remote Air-Cooled

- KM-520MRJ ★
- KM-660MRJ



Features

- ▶ Individual crescent cube
- ▶ Factory-installed ultrasonic bin control can be adjusted on site
- ▶ Simple, one-hour cleaning process

- Durable construction with fewer parts
- Self-diagnostic programming automatically adjusts to changing conditions
- Snap fit parts for easy cleaning
- Stainless steel double-sided evaporator
- CycleSaver™ design
- Protected by H-GUARD Plus Antimicrobial Agent
- EverCheck™ alert system
- Removable air filters (air-cooled model only)
- R-404A Refrigerant

Available on Bins/Dispensers:

B-250PF	B-500PF/SF	B-800PF/SF	B-1150SS	DB-130H
B-300PF/SF	B-700PF/SF	B-900PF/SF	B-1300SS	DB-200H
				DM-200B

Top kit may be required. See Bin Spec Sheets.

Warranty:

3 Year Parts & Labor on entire machine 5 Year Parts & Labor on evaporator 5 Year Parts on Compressor; air-cooled condenser coil
Valid in United States, Canada, Puerto Rico and U.S. Territories. Contact factory for warranty in other countries.

Shipping: (LxWxH) 33" x 25.25" X 34.5" Volume: 16.64ft³



Condenser	Model	ICE PRODUCTION		WATER USAGE			ELECTRICAL				Refrigerant Charge Amount	Net / Ship Weight (lbs.)	
		Air / Water Temp Lbs. per 24 hours 70°/50°F 90°/70°F	Potable Gal. per 100 lbs. 90°/70°F	Condenser Gal. per 100 lbs. 90°/70°F	kWh Used per 100 lbs. 90°/70°F	Min. Circuit Amp - Max. Fuse/Breaker	Amperage	Voltage	Circuit Wires (including ground)	Heat Rejection BTU/hr.			
Air	KM-350MAJ ★	489	393	14.5	N/A	5.42	15A	9.05A	115V/60/1	3	5,700	1 lb. 3.4 oz.	125 / 175
Water	KM-350MWJ	414	383	15.5	109	4.90	15A	7.5A	115V/60/1	3	6,600	11.6 oz.	126 / 175
Air	KM-520MAJ ★	556	480	14.7	N/A	4.68	20A	10.6A	115V/60/1	3	6,600	1 lb. 10.8 oz.	131 / 175
Water	KM-520MWJ	474	444	14.8	75	4.65	20A	8.45A	115V/60/1	3	6,300	12.7 oz.	127 / 175
Remote	KM-520MRJ ★	547	495	13.6	N/A	4.80	20A	12.05A	115V/60/1	3	6,200	2 lb. 4.7 oz. 4 lb. 2.7 oz. [†]	122 / 175
Air	KM-660MAJ	665	617	14.8	N/A	5.12	20A	15.2A	115V/60/1	3	8,000	1 lb. 9.8 oz.	131 / 180
Water	KM-660MWJ	669	668	16.1	152	4.28	20A	12.35A	115V/60/1	3	8,900	15.2 oz.	130 / 180
Remote	KM-660MRJ	646	602	14.7	N/A	5.60	20A	16.1A	115V/60/1	3	8,100	2 lb. 4.7 oz. 4 lb. 2.7 oz. [†]	122 / 180

[†](with condenser)

Power cord not included. Must be hard-wired at site.

Hoshizaki reserves the right to change specifications without notice.



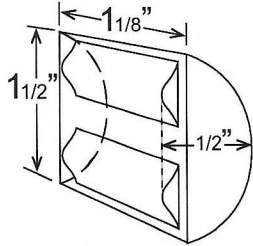
KM-350/520/660M_J



KM-350/520/660M_J
02/05/20
Item # 13260

SLIM-LINE MODULAR CRESCENT CUBER

KM Edge Cube Dimensions†



† approximate size in inches, image not to scale

Operating Limits

- Ambient Temp Range 45 - 100°F
- Water Temp Range 45 - 90°F
- Water Pressure 10 - 113 PSIG
- Voltage Range 104 - 127V

Service

- Panels easily removed and all components accessible for service.
- Removable/cleanable air filters. (Air-cooled model only)
- Allow 6" (15 cm) clearance at rear, sides, and top for proper air circulation and ease of maintenance/service.

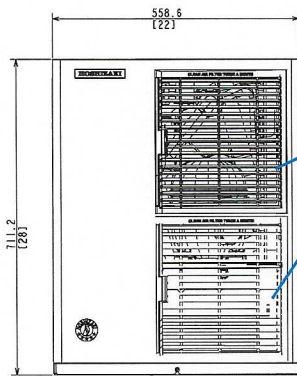
Plumbing

- Ice maker water supply line: minimum 1/4" nominal ID copper water tubing or equivalent
- Ice maker drain line: minimum 3/4" nominal ID hard pipe or equivalent
- Water-Cooled Model (Lines Must Be Independent of Ice maker)
- Condenser water supply line: minimum 1/4" nominal ID copper water tubing or equivalent
- Condenser drain/return line: minimum 1/4" nominal ID hard pipe (open drain system) or copper water tubing (closed loop system) or equivalent

Water Filter

Please refer to water filter specification sheet for recommendations.

FRONT VIEW

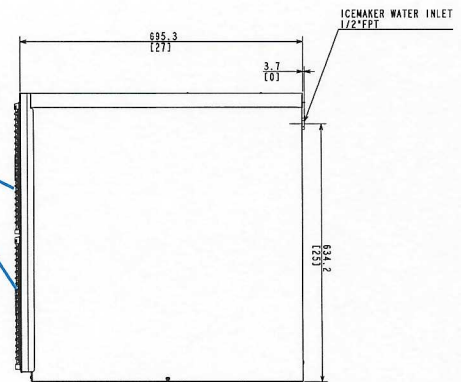


Louvers on Air-Cooled models only

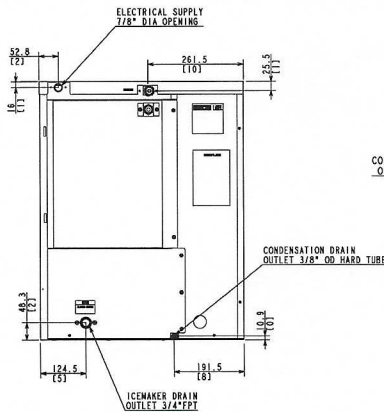
SIDE VIEW

Louvers on Air-Cooled models only

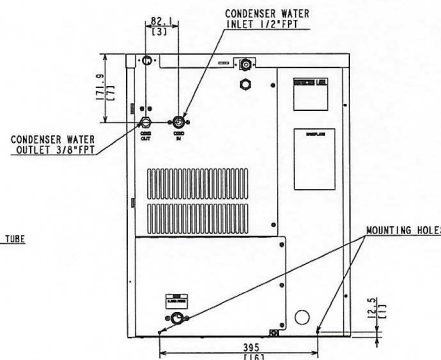
Front →



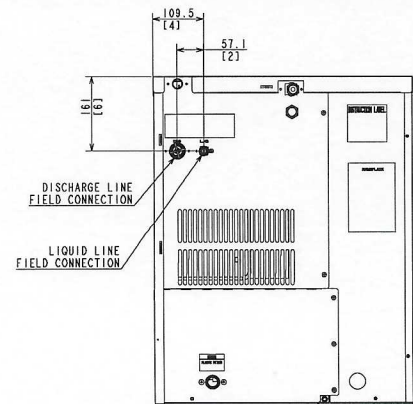
REAR VIEW



AIR-COOLED

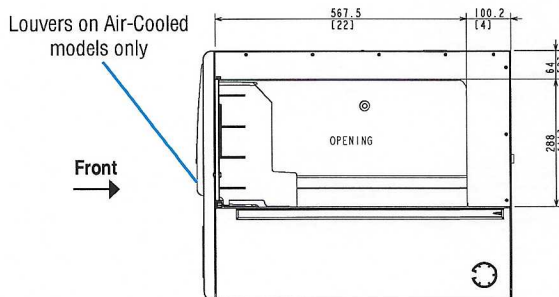


WATER-COOLED



REMOTE AIR-COOLED

BOTTOM VIEW



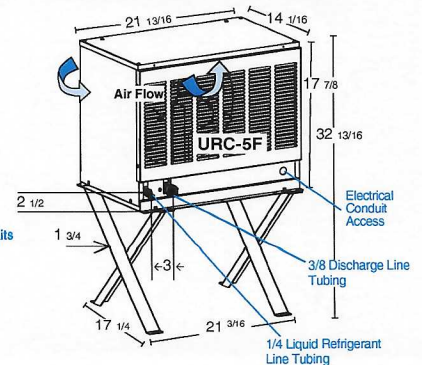
Louvers on Air-Cooled models only

Front →

URC-5F Remote Condenser (Sold Separately)

(W x D x H) 21^{13/16} x 14^{1/16} x 32^{13/16}

For Use with KM-520MRJ and KM-660MRJ



Pre-Charged Tubing Kits (Sold Separately)
20' R404-2046-2
35' R404-3546-2

Voltage supply for the URC Remote Condenser is supplied from the Ice Maker. No additional circuit is required.



SF Bins

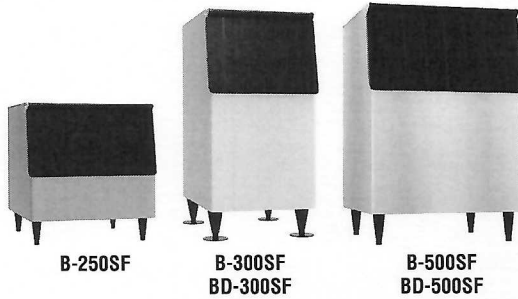
ICE STORAGE BIN SERIES



SF Bins
12/11/20
Item # 13163

Item #: _____
Project: _____
Qty: _____
AIA#: _____

SF - Stainless Steel Finish



Features

- ▶ Protected by H-GUARD Plus Antimicrobial Agent
- ▶ Polyethylene bin liner for sanitary storage
- ▶ Sturdy construction for side-by-side or stacked ice machine installation

- Ice storage capacity from 250 lbs. up to 900 lbs.
- Both surfaces are designed for easy cleaning
- Long lasting attractive appearance
- Foamed-in-place polyurethane insulation, in all bin walls and bottom, provides dependable ice storage
- H-GUARD Plus Antimicrobial adds extra protection to the ice scoop (included)

SF - Stainless Steel Finish

BD Bins

- Fit 24" - 24 1/2" deep ice machine without top kit extension

Warranty:

2 Year Parts & Labor (Production prior to January 2012)
3 Year Parts & Labor (Production January 2012 and after)
Valid in United States, Canada, Puerto Rico and U.S. Territories. Contact factory for warranty in other countries.



Model Number	Exterior Dimensions W x D x H*	Interior Dimensions W x D x H	Application Storage Capacity†	Cubic Volume	Shipping Dimensions L x W x H	Shipping Weight (lbs.)
B-250SF	30" x 32.3" x 33.4"	27" x 27.7" x 23.7"	250 lbs.	10.30 ft ³	35" x 32" x 32"	—
B-300SF	22" x 32.3" x 46"	19" x 27.7" x 37.6"	300 lbs.	11.51 ft ³	35" x 24" x 45"	125
BD-300SF	22" x 32.3" x 46"	19" x 27.7" x 37.6"	300 lbs.	11.51 ft ³	35" x 24" x 45"	130
B-500SF	30" x 32.3" x 46"	27" x 27.7" x 37.6"	500 lbs.	16.33 ft ³	35" x 32" x 45"	140
BD-500SF	30" x 32.3" x 46"	27" x 27.7" x 37.6"	500 lbs.	16.33 ft ³	35" x 32" x 45"	140
B-700SF	44" x 32.3" x 46"	41" x 27.7" x 37.6"	700 lbs.	24.77 ft ³	46" x 35" x 45"	175
B-800SF	48" x 32.3" x 46"	45" x 27.7" x 37.6"	800 lbs.	26.90 ft ³	50.25" x 35" x 45"	185
B-900SF	52" x 32.3" x 46"	49" x 27.7" x 37.6"	900 lbs.	29.59 ft ³	54.5" x 35" x 45"	195

*Height includes 6" legs

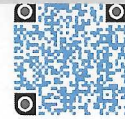
† Capacity based on volume x 30 lb/ft³ average density of ice.

Hoshizaki reserves the right to change specifications without notice.



SF Bins

ICE STORAGE BIN SERIES



SF Bins
12/11/20
Item # 13163

Ice Machine Model Application

	22" Width	22" Width	30" Width	30" Width	44" Width	44" Width	48" Width
	KM-350M KM-520M KM-660M F-450M F-801M F-1002M	KMD-410M† KMS-822M† FD-650M-C† FD-1002M-C	KM-901M KM-1340M KM-1601M KML Series F-1501M F-2001	KMD-460M† KMD-530M† KMD-860M† KMS-1402M* KMS-2000M*	2 KM-350M 2 KM-520M 2 KM-660M IM-500S 2 F-450M 2 F-801M 2 F-1002M	2 KMD-410M 2 KMS-822M 2 FD-650M-C 2 FD-1002M-C	KM-1301S KM-1400S KM-1601S KM-1900S KM-2200S KM-2600S
Bins B-300SF DB-130H	— <i>(DB-130H - KMD only)</i>	NEED HS-5424 <i>(DB-130H - KMD only)</i>	N/A	N/A	N/A	N/A	N/A
Bins B-250SF B-500SF	NEED HS-2033	NEED HS-2033 & HS-2129	—	NEED HS-2129	N/A	N/A	N/A
Bins B-700SF	NEED HS-2035	NEED HS-2035 & HS-2130	NEED HS-2034	NEED HS-2130 & HS-2034	—	NEED HS-2130 <i>(KMD-410 does not apply)</i>	N/A
Bins B-800SF	NEED HS-2035 & HS-2032	NEED HS-2035, HS-2032 & HS-2131	NEED HS-2034 & HS-2032	NEED HS-2131, HS-2034 & 2032	NEED HS-2032	NEED HS-2032 & HS-2131	—
Bins B-900SF	NEED HS-2035 & HS-2033	NEED HS-2035, HS-2033 & HS-2132	NEED HS-2035	NEED HS-2132 & HS-2035	NEED HS-2033	NEED HS-2033 & HS-2132	NEED HS-2032
Bins DB-200H DM-200B	NEED HS-2036 <i>(KM units only)</i>	N/A	— <i>(KML only)</i>	N/A	N/A	N/A	N/A

— No top kit necessary | N/A Combination of ice maker and bin is not possible

BD Bins fit 24" - 24 1/2" deep ice machine without Top Kit extension.

† **BD-300SF:** KMD-410M, KMS-822M, FD-650M-C, FD-1002M-C

‡ **BD-500SF:** KMD-460M, KMD-530, KMD-860

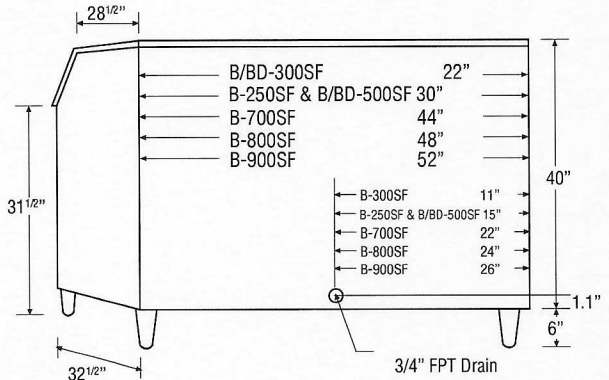
* Any KMS or FD on bin need Top Kit Extension (excludes KMS-830MLH):

- HS-2129 - for use with B-500 bins
- HS-2131 - for use with B-800 bins
- HS-2130 - for use with B-700 bins
- HS-2132 - for use with B-900 bins

Top Kits:

- HS-2032 - 4" ABS Top Kit
- HS-2033 - 8" ABS Top Kit
- HS-2034 - 14" ABS Top Kit
- HS-2035 - 22" ABS Top Kit
- HS-2036 - (2) 4" ABS Top Kits
- HS-2071 - Leg Seismic Kit
- HS-2111 - 11.3" x 26.2" Stainless Cover/Separator
- HS-2148 - 30" x 3.1" Stainless Cover
- HS-2160 - 2 KM-901M

B-250SF



Ice Drop Area



B Bins

BD Bins



Bin Flanged Legs:
B/BD-300SF



Bin Legs:
B-250SF, B/BD-500SF
B-700SF, B-800SF
B-900SF



EVERPURE® CGS-10 10" SINGLE FILTER HOUSING

FOODSERVICE SYSTEM HOUSING FOR DROP-IN CARTRIDGES

CGS-10 10" Single Filter Housing: EV9100-10



APPLICATIONS

Foodservice

FEATURES • BENEFITS

10" low profile Slim Line single bowl housing assembly accepts drop-in cartridges

Includes wall mounting bracket and hardware for fast and easy installation

Manufactured of durable polypropylene

System includes water pressure gauge

Equipped with a pressure relief button to relieve water pressure during cartridge changes

Has excellent chemical resistance

System is shipped fully assembled

Choose the appropriate cartridge for your needs

Cartridge sold separately

INSTALLATION TIPS

Choose a mounting location suitable to support the full weight of the system when operating.

Install vertically so bowl hangs down.

Allow 2 1/2" clearance below the cartridge for easy cartridge replacement.

Make sure o-ring on bowl is sufficiently lubricated .

Always screw on bowls by hand; do not use a housing wrench.

Flush filter by running water through filter according to cartridge instructions.

OPERATION TIPS

Change cartridges on a regular six (6) month preventative maintenance program.

Change cartridges when capacity is reached or when pressure decreases.

Always inspect o-ring; change and/or lubricate if necessary.

Clean bowl with mild solution of detergent before inserting new cartridge.

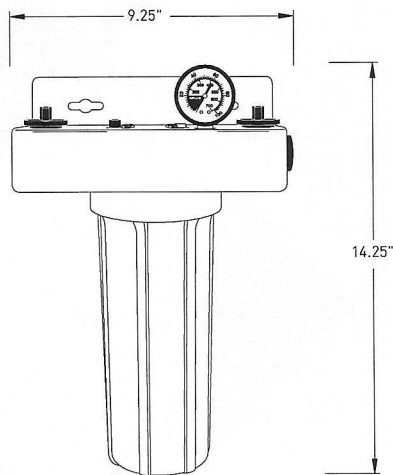
Always flush the filter cartridge at time of installation and cartridge change.

SIZING

Service Flow Rate: Maximum 2 gpm (7.6 Lpm)

EVERPURE® CGS-10 10" SINGLE FILTER HOUSING

EV9100-10



SPECIFICATIONS

Service Flow Rate

Maximum 2 gpm (7.6 Lpm)

Pressure Requirements

30 - 125 psi (2.1 - 8.6 bar), non-shock

Overall Dimensions

14.25" H x 9.25" W x 5.25" D
(36.1 cm x 23.4 cm x 13.3 cm)

Inlet Connection

3/8"

Outlet Connection

3/8"

Temperature Limits

40 - 100°F (4.4 - 38°C)

Electrical Connection

None required



Systems are Tested and Certified by NSF International against NSF/ANSI 42 & 53 for the reduction of the claims specified on the Performance Data Sheet and at www.nsf.org.

The contaminants or other substances removed or reduced by this drinking water system are not necessarily in your water. Do not use with water that is microbiologically unsafe or of unknown quality without adequate disinfection before or after the system.

WARRANTY

Everpure water treatment systems by Pentair® (excluding replaceable elements) are covered by a limited warranty against defects in material and workmanship for a period of five years after date of purchase. Everpure replaceable elements (filter cartridges and water treatment cartridges) are covered by a limited warranty against defects in material and workmanship for a period of one year after date of purchase. See printed warranty for details. Pentair will provide a copy of the warranty upon request.



WATER QUALITY SYSTEMS

EVERPURE-SHURFLO WORLD HEADQUARTERS, 1040 MUIRFIELD DRIVE, HANOVER PARK, IL 60133 USA • FOODSERVICE.PENTAIR.COM
800.942.1153 (US ONLY) • 630.307.3000 MAIN • 630.307.3030 FAX • CSEVERPURE@PENTAIR.COM EMAIL

EVERPURE-SHURFLO AUSTRALIA, 1-21 MONASH DRIVE, DANDENONG SOUTH, VIC 3175 AUSTRALIA
011.1300 576 190 TEL • 011.61.39.562.7237 FAX • AU.EVERPURE@PENTAIR.COM EMAIL

EVERPURE-SHURFLO CHINA, 21F CLOUD 9 PLAZA, NO 1118, SHANGHAI, 200052, CHINA
86.21.3211.4588 TEL • 86.21.3211.4580 FAX • CHINA.WATER@PENTAIR.COM EMAIL

EVERPURE-SHURFLO INDIA, GREEN BOULEVARD, B-9/A, 7TH FLOOR - TOWER B SECTOR 62, NOIDA - 201301
91.120.419.9444 TEL • 91.120.419.9400 FAX • INDIACUSTOMER@PENTAIR.COM EMAIL

EVERPURE-SHURFLO EUROPE, PENTAIR WATER BELGIUM BVBA, INDUSTRIEPARK WOLFSTEE, TOEKOMSTLAAN 30, B-2200 HERENTALS, BELGIUM
+32.(0).14.283.504 TEL • +32.(0).14.283.505 FAX • SALES@EVERPURE-EUROPE.COM EMAIL

EVERPURE-SHURFLO JAPAN INC., HASHIMOTO MN BLDG. 7F, 3-25-1 HASHIMOTO, MIDORI-KU, SAGAMIHARA-SHI KANAGAWA 252-0143, JAPAN
81.(0)42.775.3011 TEL • 81.(0)42.775.3015 FAX • INFO@EVERPURE.CO.JP EMAIL

EVERPURE-SHURFLO SOUTHEAST ASIA, 390 HAVELOCK ROAD, #04-01 KING'S CENTRE, SINGAPORE 169662
65.6768.5800 TEL • 65.6737.5149 FAX • CSEVERPURE@PENTAIR.COM EMAIL

All Pentair trademarks and logos are owned by Pentair, Inc. or its affiliates. All other registered and unregistered trademarks and logos are the property of their respective owners. Because we are continuously improving our products and services, Pentair reserves the right to change specifications without prior notice. Pentair is an equal opportunity employer.



EVERPURE® CG53-10S REPLACEMENT CARTRIDGE

DROP-IN REPLACEMENT CARTRIDGE FOR FOODSERVICE APPLICATIONS

CG53-10S Replacement Cartridge: EV9108-57



APPLICATIONS

Foodservice Applications Requiring
Scale Reduction

FEATURES • BENEFITS

Provides superior chlorine taste & odor reduction and micro-filters dirt and particles as small as 0.5-micron in size by mechanical means

High porosity design prevents the cartridge from plugging before its adsorption capacity is exhausted

Phosphate reduces water-related equipment problems caused by scale buildup from dirt and dissolved minerals

Drop-in design fits most 10" bowls

Reduces extra fine particles and dirt from drinking water

Helps keep equipment running at peak efficiency and keeps maintenance costs down

INSTALLATION TIPS

Install vertically so bowls hang down
Allow 2 ½" (6.35 cm) clearance below the cartridge for easy cartridge replacement.
Make sure o-ring on bowl is sufficiently lubricated.
Always screw on bowls by hand. Do not use a housing wrench.

OPERATION TIPS

Change cartridges on a regular six (6)-month preventative maintenance program.
Change cartridges when capacity is reached or when pressure decreases.
Always inspect o-ring. Change and/or lubricate if necessary.
Always flush the filter cartridge at time of installation and cartridge change.

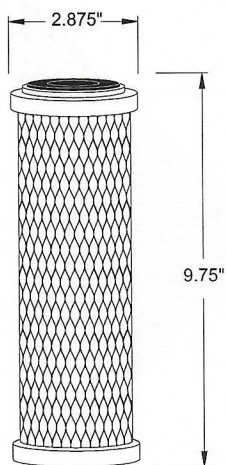
SIZING

Service Flow Rate: Maximum
2 gpm (7.5 Lpm)
Capacity: 10,000 gallons (37,800 L)

EVERPURE® CG53-10S REPLACEMENT CARTRIDGE

EV9108-57

SPECIFICATIONS



Rated Capacity

10,000 gallons (37,800 L)

Service Flow Rate

Maximum 2 gpm (7.5 Lpm)

Pressure Requirements

30 - 125 psi (2.1 - 8.6 bar), non-shock

Temperature Limits

40 - 100°F (4.4 - 38°C)

Overall Dimensions

9.75" L x 2.87" dia. (24.7 x 7.2 cm)

Electrical Connection

None required



The CG53-10S is Tested and Certified by NSF International against NSF/ANSI 42 & 53 in model CG5-10 for the reduction of the claims specified on the Performance Data Sheet and at www.nsf.org.

EPA Est. No. 082989-CHN-001

The contaminants or other substances removed or reduced by this drinking water system are not necessarily in your water. Do not use with water that is microbiologically unsafe or of unknown quality without adequate disinfection before or after the system. Systems certified for cyst reduction may be used with disinfected water that may contain filterable cysts.

WARRANTY

Everpure water treatment systems by Pentair® (excluding replaceable elements) are covered by a limited warranty against defects in material and workmanship for a period of five years after date of purchase. Everpure replaceable elements (filter cartridges and water treatment cartridges) are covered by a limited warranty against defects in material and workmanship for a period of one year after date of purchase. See printed warranty for details. Pentair will provide a copy of the warranty upon request.



WATER QUALITY SYSTEMS

EVERPURE-SHURFLO WORLD HEADQUARTERS, 1040 MUIRFIELD DRIVE, HANOVER PARK, IL 60133 USA • FOODSERVICE.PENTAIR.COM
800.942.1153 (US ONLY) • 630.307.3000 MAIN • 630.307.3030 FAX • CSEVERPURE@PENTAIR.COM EMAIL

EVERPURE-SHURFLO AUSTRALIA, 1-21 MONASH DRIVE, DANDENONG SOUTH, VIC 3175 AUSTRALIA
011.1300 576 190 TEL • 011.61.39.562.7237 FAX • AU.EVERPURE@PENTAIR.COM EMAIL

EVERPURE-SHURFLO CHINA, 21F CLOUD 9 PLAZA, NO 1118, SHANGHAI, 200052, CHINA
86.21.3211.4588 TEL • 86.21.3211.4580 FAX • CHINA.WATER@PENTAIR.COM EMAIL

EVERPURE-SHURFLO INDIA, GREEN BOULEVARD, B-9/A, 7TH FLOOR - TOWER B SECTOR 62, NOIDA - 201301
91.120.419.9444 TEL • 91.120.419.9400 FAX • INDIACUSTOMER@PENTAIR.COM EMAIL

EVERPURE-SHURFLO EUROPE, PENTAIR WATER BELGIUM BVBA, INDUSTRIEPARK WOLFSTEE, TOEKOMSTLAAN 30, B-2200 HERENTALS, BELGIUM
+32.(0).14.283.504 TEL • +32.(0).14.283.505 FAX • SALES@EVERPURE-EUROPE.COM EMAIL

EVERPURE-SHURFLO JAPAN INC., HASHIMOTO MN BLDG. 7F, 3-25-1 HASHIMOTO, MIDORI-KU, SAGAMIHARA-SHI KANAGAWA 252-0143, JAPAN
81.(0)42.775.3011 TEL • 81.(0)42.775.3015 FAX • INFO@EVERPURE.CO.JP EMAIL

EVERPURE-SHURFLO SOUTHEAST ASIA, 390 HAVELOCK ROAD, #04-01 KING'S CENTRE, SINGAPORE 169662
65.6768.5800 TEL • 65.6737.5149 FAX • CSEVERPURE@PENTAIR.COM EMAIL

All Pentair trademarks and logos are owned by Pentair, Inc. or its affiliates. All other registered and unregistered trademarks and logos are the property of their respective owners. Because we are continuously improving our products and services, Pentair reserves the right to change specifications without prior notice. Pentair is an equal opportunity employer.