

# Windstream VICINTY MAP BOSWELL AVE



WINDSTREAM PROPOSES FIBER OPTIC CABLE PLACEMENT:

BURIED	12 FOC	24 FOC	48 FOC	144 FOC	INNERDUCT
RESI PLOW	278'	0'	0'	0'	
DIRECTIONAL BORE	122'	104'	1416'	0'	0'
DIRECT BURIED	0'	0'	0'	0'	
AERIAL	12 FOC	24 FOC	48 FOC	144 FOC	
LASH TO EXISTING	0'	60'	110'	0'	
NEW ATTACHMENT	0'	0'	0'	0'	

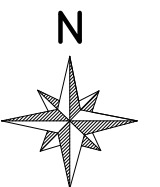
TOTAL PROPOSED FIBER CABLE=2090'    TOTAL INNERDUCT=1642'



DATE CREATED: 4/27/26

DATE REVISED:

DRAWN BY: RAMTeCH



SCALE: NTS

COMPANY:  
Windstream

SYSTEM:  
CRETE, NE

PROJECT NUMBER:  
715062334

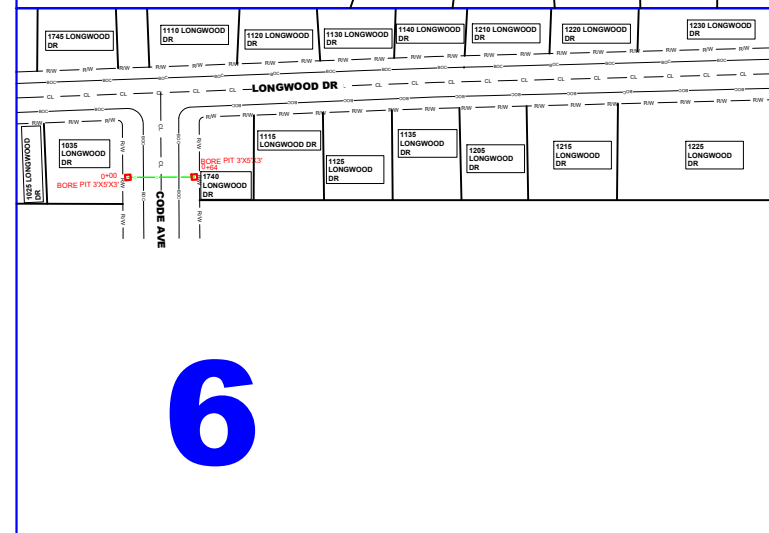
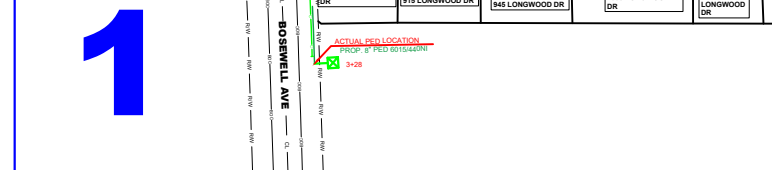
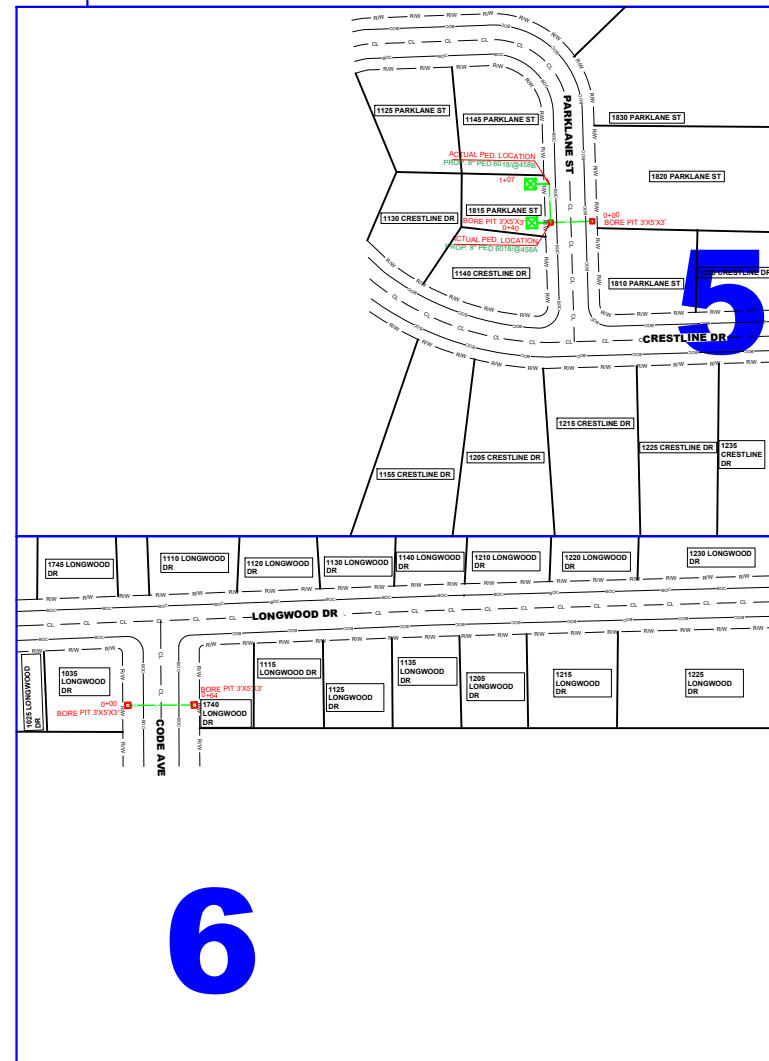
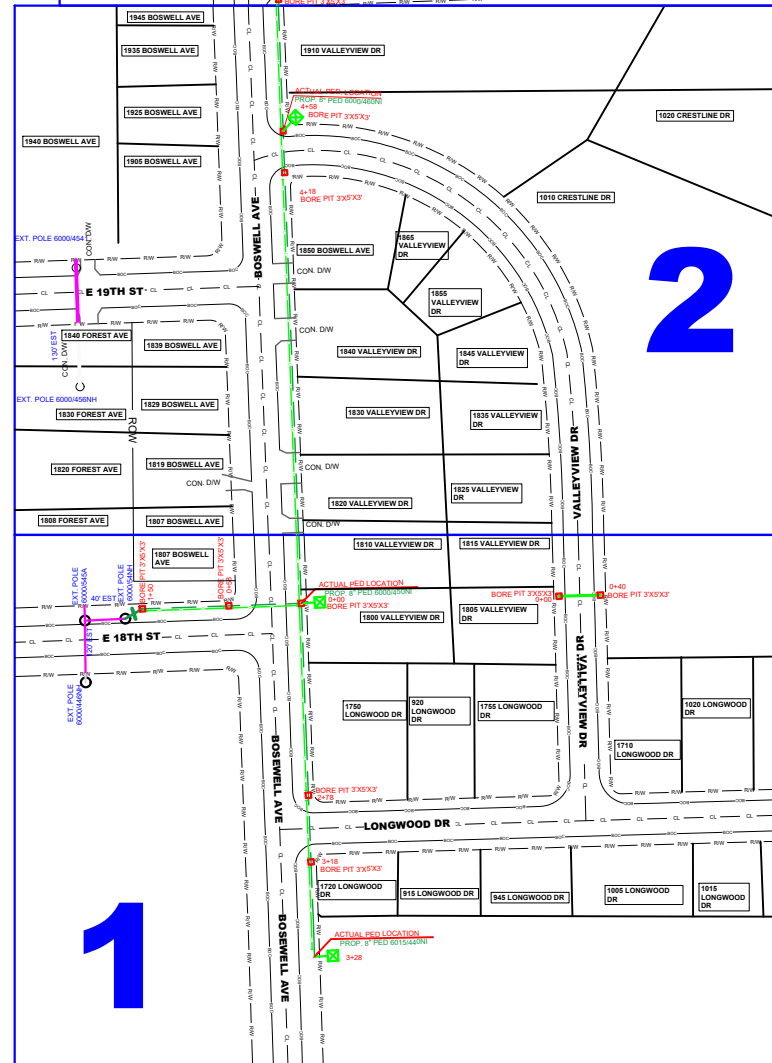
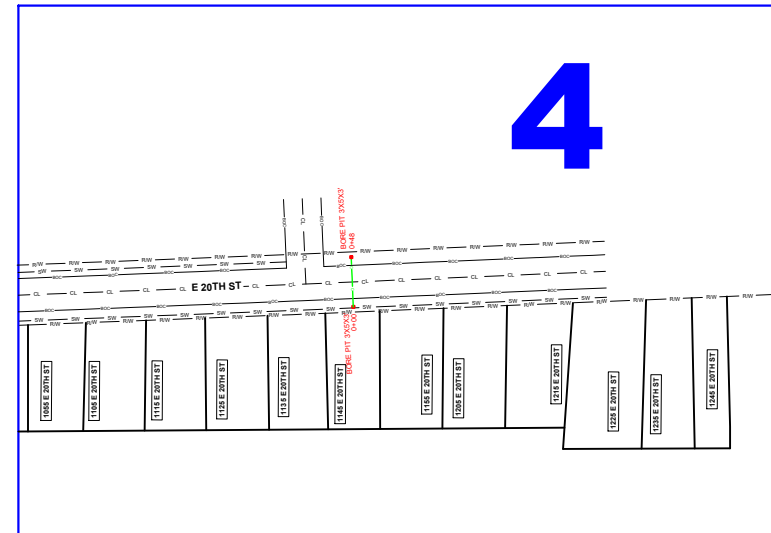
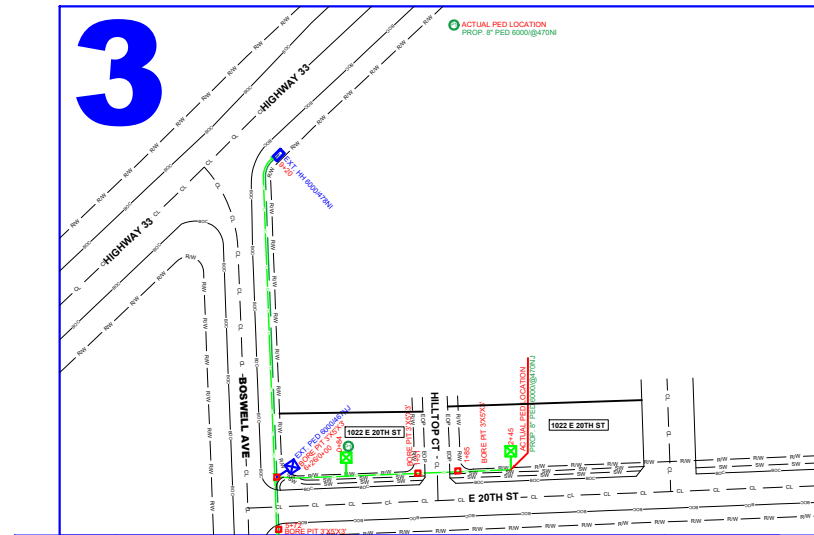
DESCRIPTION:  
FTTP GPON PERMIT

MAP:

LOCATION MAP

RAMTeCH

# CITY PERMIT BOSWELL AVE



## LEGEND

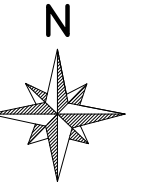
- PROPOSED CONDUIT
- PROPOSED B/B BIED FIBER
- AERIAL PROPOSED FIBER WITH NEW STRANDS
- AERIAL PROPOSED FIBER WITH EXISTING STRANDS
- RIGHT OF WAY
- BACK OF CURB
- EDGE OF PAVEMENT
- CENTER LINE
- SIDEWALK
- R/W/SW
- EXISTING W/ PEDESTAL
- PROPOSED W/ PEDESTAL
- EXISTING COPPER W/ PEDESTAL
- REMOVED W/ PEDESTAL
- BORE PIT
- POWER POLE



DATE CREATED: 4/27/26

DATE REVISED:

DRAWN BY: RAMTECH



SCALE:1:50

COMPANY:  
Windstream

SYSTEM:  
CRETE, NE

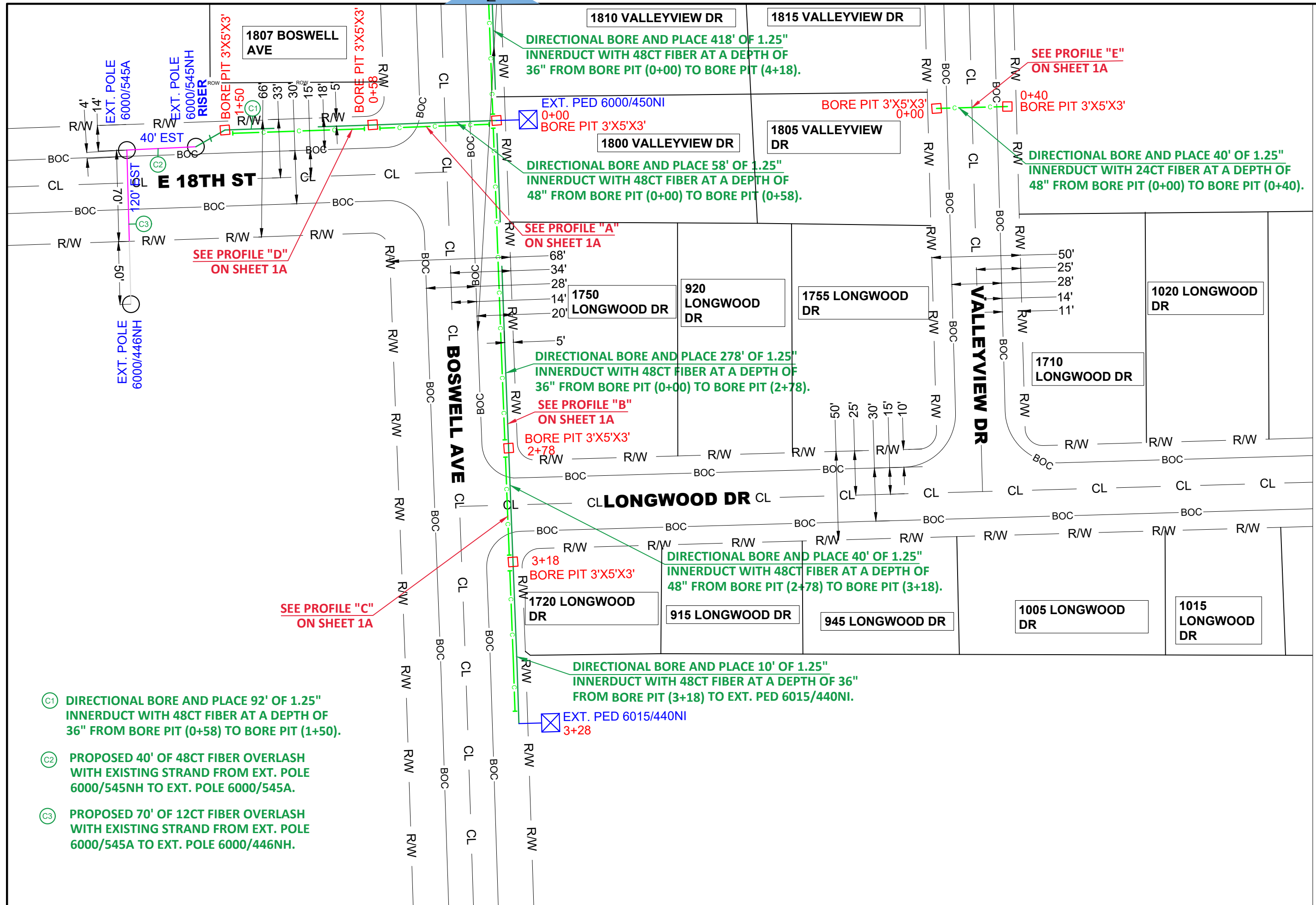
PROJECT NUMBER:  
715062334

DESCRIPTION:  
FTTP GPON PERMIT

MAP:

KEY MAP

RAMTECH



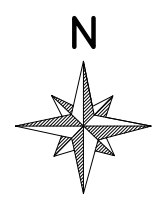
- C1 DIRECTIONAL BORE AND PLACE 92' OF 1.25" INNERDUCT WITH 48CT FIBER AT A DEPTH OF 36" FROM BORE PIT (0+58) TO BORE PIT (1+50).
- C2 PROPOSED 40' OF 48CT FIBER OVERLASH WITH EXISTING STRAND FROM EXT. POLE 6000/545NH TO EXT. POLE 6000/545A.
- C3 PROPOSED 70' OF 12CT FIBER OVERLASH WITH EXISTING STRAND FROM EXT. POLE 6000/545A TO EXT. POLE 6000/446NH.

**LEGEND**

	PROPOSED CONDUIT
	PROPOSED BURIED FIBER
	AERIAL PROPOSED FIBER WITH NEW STRANDS
	AERIAL PROPOSED FIBER WITH EXISTING STRANDS
	RIGHT OF WAY
	BACK OF CURB
	EDGE OF PAVEMENT
	CENTERLINE
	SEWER
	WATER
	GAS
	ELECTRIC
	EXISTING WS PEDESTAL
	PROPOSED WS PEDESTAL
	EXISTING COPPER WS PEDESTAL
	REMOVED WS PEDESTAL
	BORE PIT
	POWER POLE



DATE CREATED: 4/27/26  
 DATE REVISED:  
 DRAWN BY: RAMTeCH



SCALE: 1:50=1:50

COMPANY:  
Windstream

SYSTEM:  
CRETE, NE

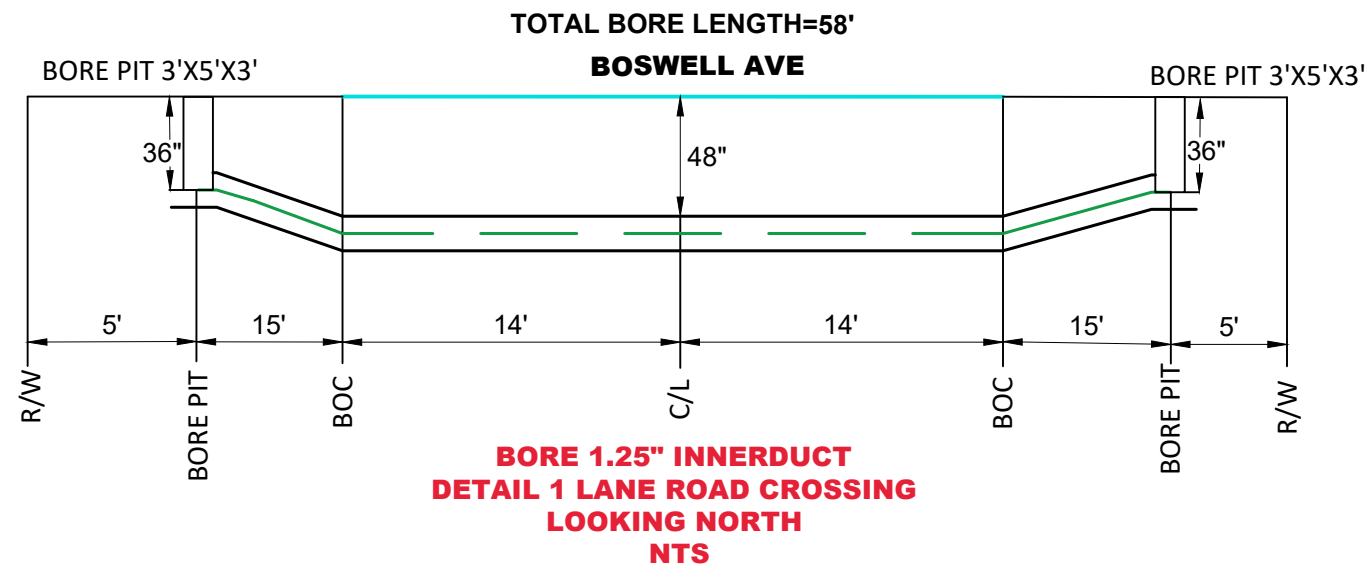
PROJECT NUMBER:  
715062334

DESCRIPTION:  
FTTP GPON PERMIT

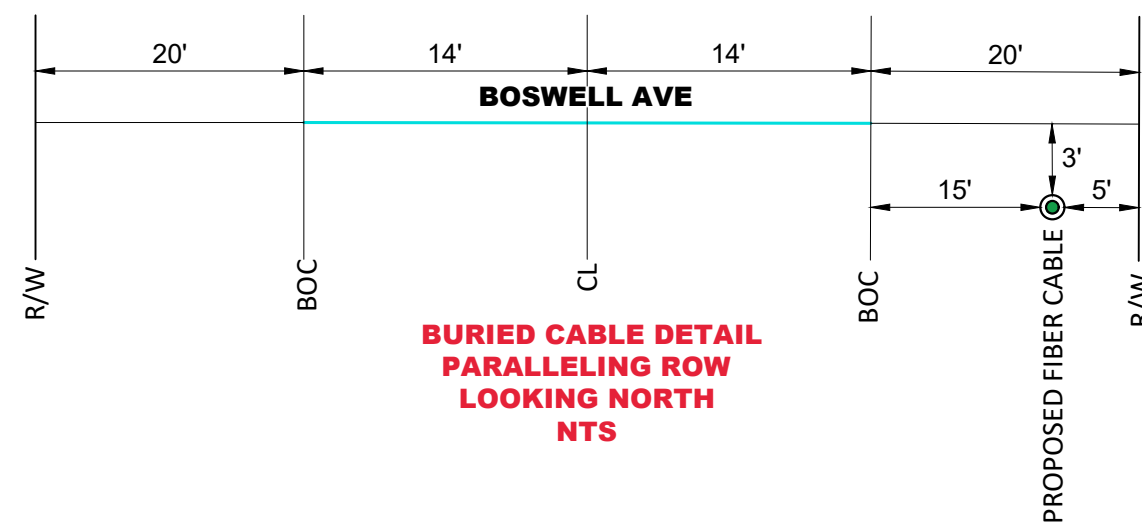
MAP:  
1 OF 6

**RAMTeCH**

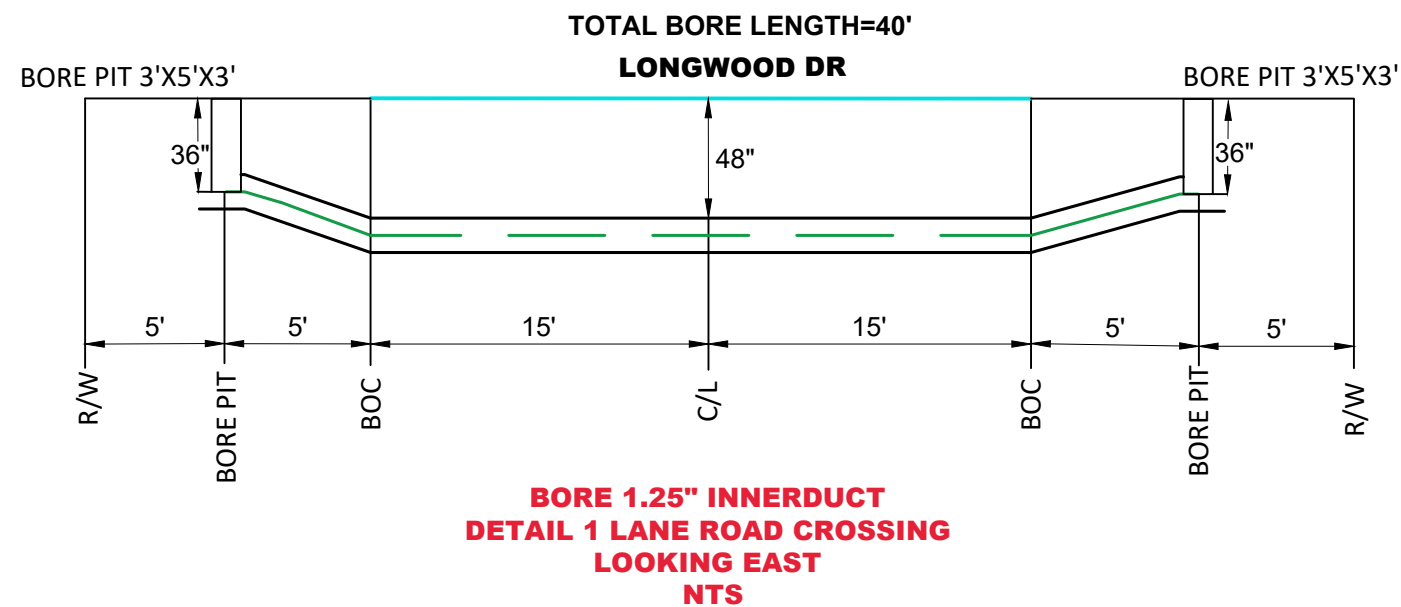
**PROFILE "A" FROM SHEET 1**



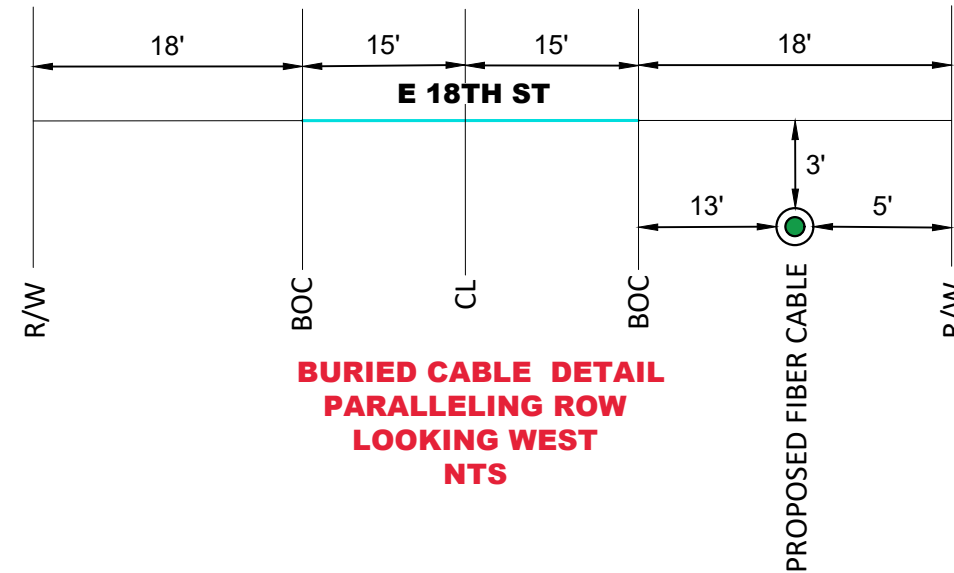
**PROFILE "B" FROM SHEET 1**



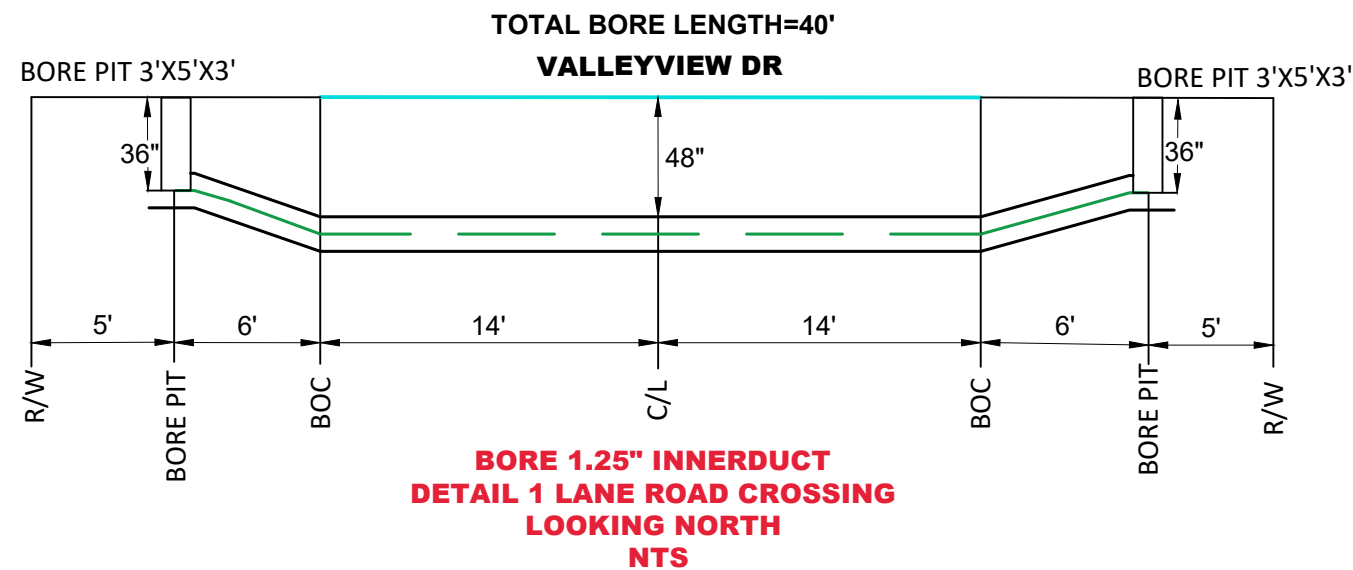
**PROFILE "C" FROM SHEET 1**



**PROFILE "D" FROM SHEET 1**



**PROFILE "E" FROM SHEET 1**



**LEGEND**

- PROPOSED CONDUIT
- PROPOSED BURIED FIBER
- AERIAL PROPOSED FIBER WITH NEW STRAND
- AERIAL PROPOSED FIBER WITH EXISTING STRAND
- EXISTING STRAND
- RIGHT OF WAY
- BACK OF CURB
- EDGE OF PAVEMENT
- CENTERLINE
- SIDEWALK
- R/W/S/W
- EXISTING WS PEDESTAL
- PROPOSED WS PEDESTAL
- EXISTING COPPER WS PEDESTAL
- REMOVED WS PEDESTAL
- BORE PIT
- POWER POLE



DATE CREATED: 4/27/26

DATE REVISED:

DRAWN BY: RAMTECH



SCALE:1.50=50

COMPANY:  
Windstream

SYSTEM:  
CRETE, NE

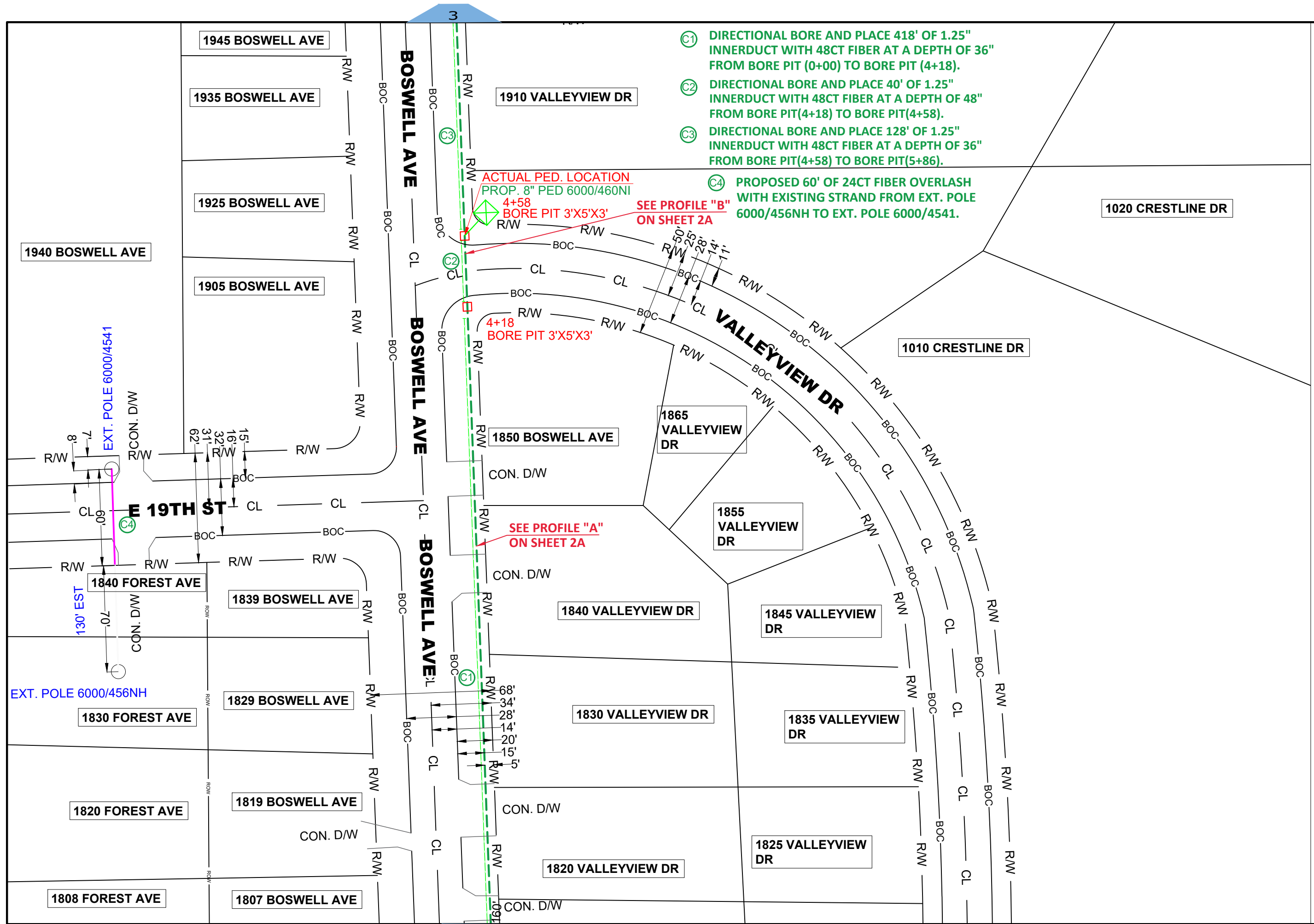
PROJECT NUMBER:  
715062334

DESCRIPTION:  
FTTP GPON PERMIT

MAP:

1A OF 6

**RAMTECH**



- C1** DIRECTIONAL BORE AND PLACE 418' OF 1.25" INNERDUCT WITH 48CT FIBER AT A DEPTH OF 36" FROM BORE PIT (0+00) TO BORE PIT (4+18).
- C2** DIRECTIONAL BORE AND PLACE 40' OF 1.25" INNERDUCT WITH 48CT FIBER AT A DEPTH OF 48" FROM BORE PIT(4+18) TO BORE PIT(4+58).
- C3** DIRECTIONAL BORE AND PLACE 128' OF 1.25" INNERDUCT WITH 48CT FIBER AT A DEPTH OF 36" FROM BORE PIT(4+58) TO BORE PIT(5+86).
- C4** PROPOSED 60' OF 24CT FIBER OVERLASH WITH EXISTING STRAND FROM EXT. POLE 6000/456NH TO EXT. POLE 6000/4541.

ACTUAL PED. LOCATION  
 PROP. 8" PED 6000/460NI  
 4+58 BORE PIT 3'X5'X3'

SEE PROFILE "B"  
 ON SHEET 2A

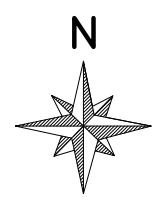
4+18 BORE PIT 3'X5'X3'

SEE PROFILE "A"  
 ON SHEET 2A

LEGEND	
	PROPOSED CONDUIT
	PROPOSED BURED FIBER
	AERIAL PROPOSED FIBER WITH NEW STRAND
	AERIAL PROPOSED FIBER WITH EXISTING STRAND
	RIGHT OF WAY
	BACK OF CURB
	EDGE OF PAVEMENT
	CENTERLINE
	SIDEWALK
	R/W/S/W
	EXISTING WS PEDESTAL
	PROPOSED WS PEDESTAL
	EXISTING COPPER WS PEDESTAL
	REMOVED WS PEDESTAL
	BORE PIT
	POWER POLE



DATE CREATED: 4/27/26  
 DATE REVISED:  
 DRAWN BY: RAMTECH



SCALE: 1:50=1:50

COMPANY:  
 Windstream  
 SYSTEM:  
 CRETE, NE  
 PROJECT NUMBER:  
 715062334  
 DESCRIPTION:  
 FTTP GPON PERMIT

MAP:  
 2 OF 6

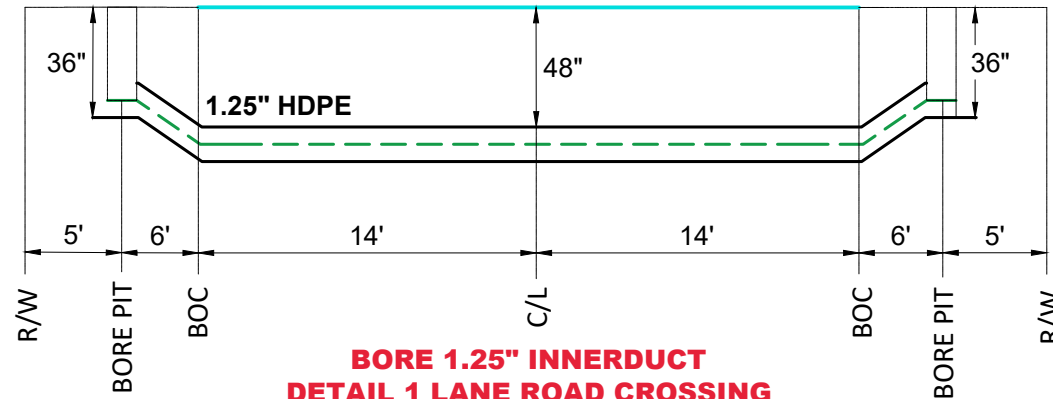
RAMTECH

**LEGEND**

- PROPOSED CONDUIT
- PROPOSED BURIED FIBER
- AERIAL PROPOSED FIBER WITH NEW STRAND
- AERIAL PROPOSED FIBER WITH EXISTING STRAND
- EXISTING STRAND
- RIGHT OF WAY
- BACK OF CURB
- EDGE OF PAVEMENT
- CENTER LINE
- SIDEWALK
- B/W/S/W
- EXISTING WS PEDESTAL
- PROPOSED WS PEDESTAL
- EXISTING COPPER WS PEDESTAL
- REMOVED WS PEDESTAL
- BORE PIT
- POWER POLE

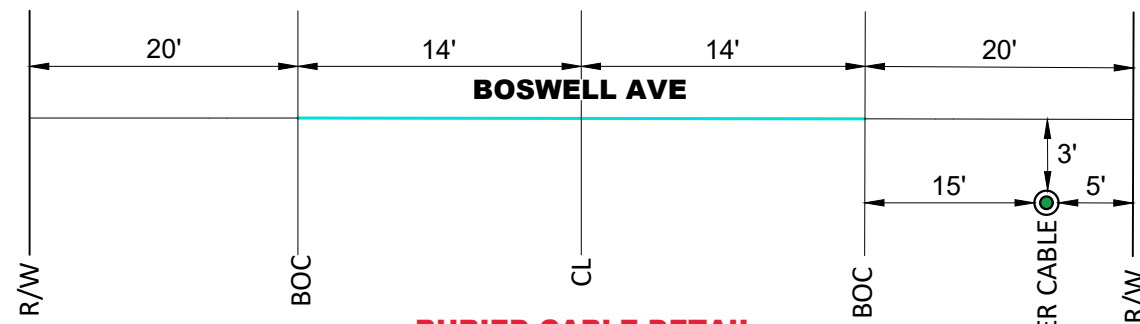
**PROFILE "B" FROM SHEET 2**

**TOTAL BORE LENGTH=40'**  
**VALLEYVIEW DR**



**BORE 1.25" INNERDUCT**  
**DETAIL 1 LANE ROAD CROSSING**  
**LOOKING EAST**  
**NTS**

**PROFILE "A" FROM SHEET 2**



**BURIED CABLE DETAIL**  
**PARALLELING ROW**  
**LOOKING NORTH**  
**NTS**

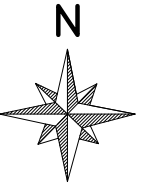
**PROPOSED FIBER CABLE**



DATE CREATED: 4/27/26

DATE REVISED:

DRAWN BY: RAMTECH



SCALE:1.50=50

COMPANY:  
Windstream

SYSTEM:  
CRETE, NE

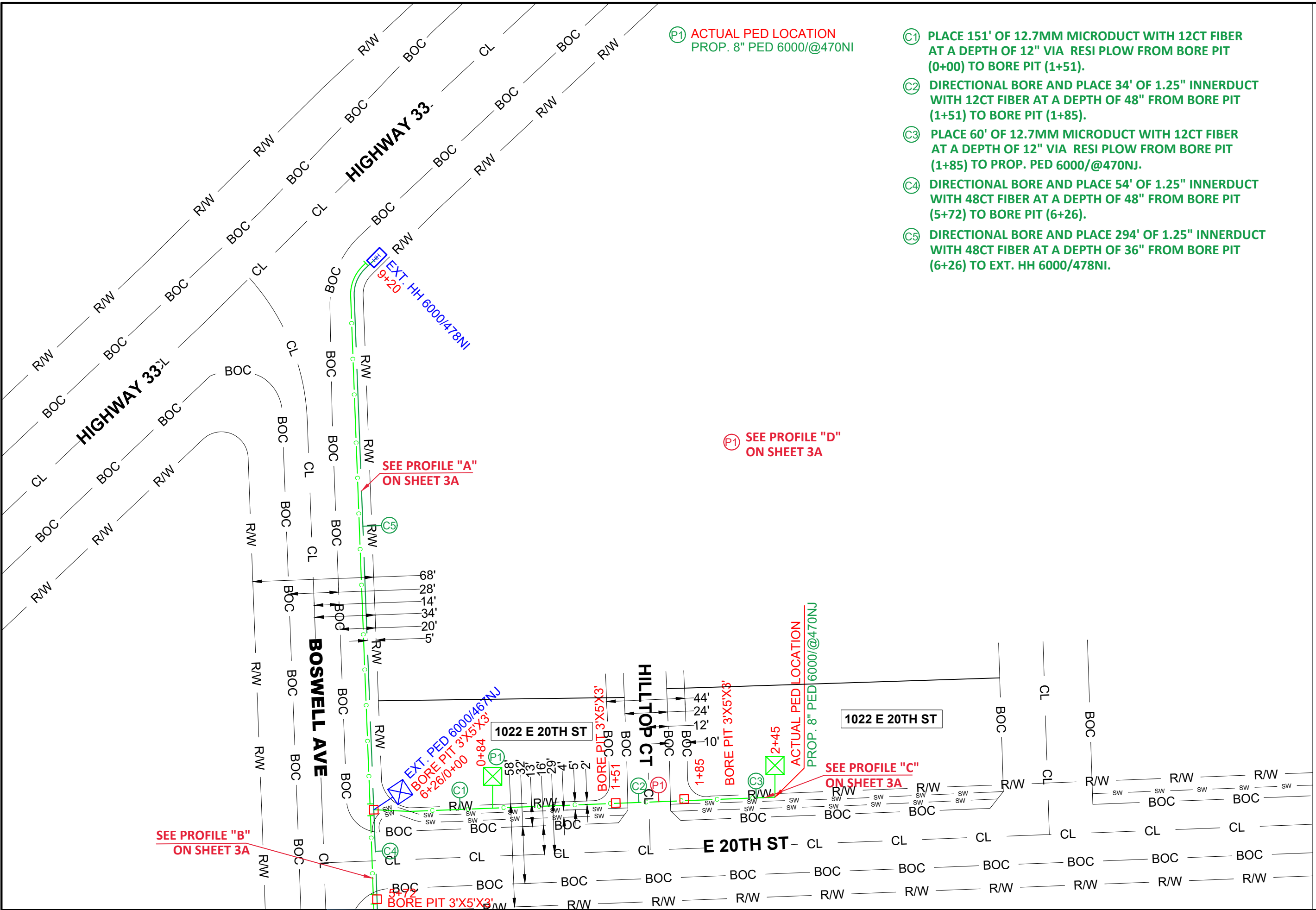
PROJECT NUMBER:  
715062334

DESCRIPTION:  
FTTP GPON PERMIT

MAP:

2A OF 6

**RAMTECH**



P1 ACTUAL PED LOCATION  
PROP. 8" PED 6000/@470NI

- C1 PLACE 151' OF 12.7MM MICRODUCT WITH 12CT FIBER AT A DEPTH OF 12" VIA RESI PLOW FROM BORE PIT (0+00) TO BORE PIT (1+51).
- C2 DIRECTIONAL BORE AND PLACE 34' OF 1.25" INNERDUCT WITH 12CT FIBER AT A DEPTH OF 48" FROM BORE PIT (1+51) TO BORE PIT (1+85).
- C3 PLACE 60' OF 12.7MM MICRODUCT WITH 12CT FIBER AT A DEPTH OF 12" VIA RESI PLOW FROM BORE PIT (1+85) TO PROP. PED 6000/@470NJ.
- C4 DIRECTIONAL BORE AND PLACE 54' OF 1.25" INNERDUCT WITH 48CT FIBER AT A DEPTH OF 48" FROM BORE PIT (5+72) TO BORE PIT (6+26).
- C5 DIRECTIONAL BORE AND PLACE 294' OF 1.25" INNERDUCT WITH 48CT FIBER AT A DEPTH OF 36" FROM BORE PIT (6+26) TO EXT. HH 6000/478NI.

SEE PROFILE "A"  
ON SHEET 3A

P1 SEE PROFILE "D"  
ON SHEET 3A

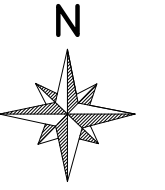
SEE PROFILE "B"  
ON SHEET 3A

SEE PROFILE "C"  
ON SHEET 3A

LEGEND	
	PROPOSED CONDUIT
	PROPOSED BURIED FIBER
	AERIAL PROPOSED FIBER WITH NEW STRANDS
	AERIAL PROPOSED FIBER WITH EXISTING STRANDS
	RIGHT OF WAY
	BACK OF CURB
	EDGE OF PAVEMENT
	CENTER LINE
	SIDEWALK
	R/W/S/W
	EXISTING W/S PEDESTAL
	PROPOSED W/S PEDESTAL
	EXISTING COPPER W/S PEDESTAL
	REMOVED W/S PEDESTAL
	BORE PIT
	POWER POLE



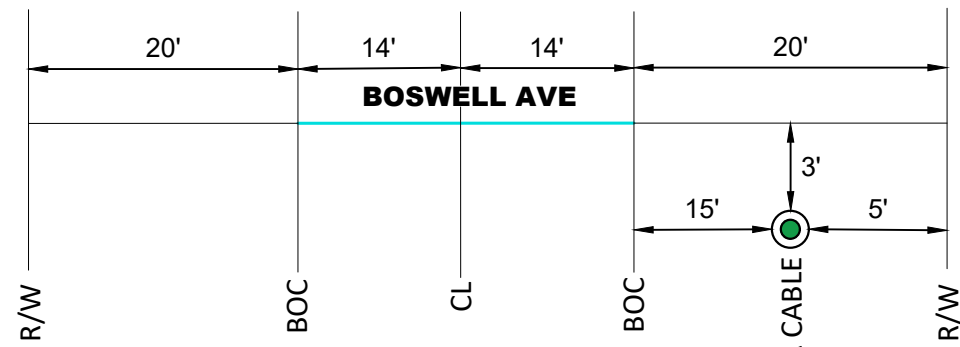
DATE CREATED:	4/27/26
DATE REVISED:	
DRAWN BY:	RAMTECH



SCALE:1:50=1:50

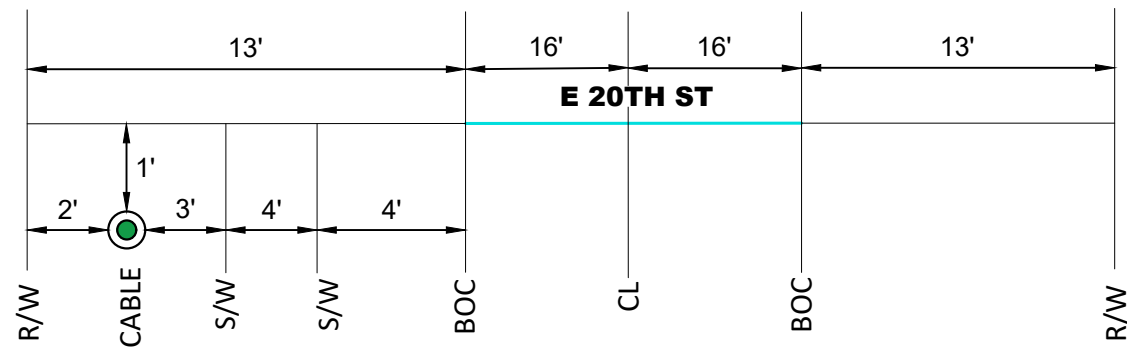
COMPANY:	Windstream
SYSTEM:	CRETE, NE
PROJECT NUMBER:	715062334
DESCRIPTION:	FTTP GPON PERMIT

**PROFILE "A" FROM SHEET 3**



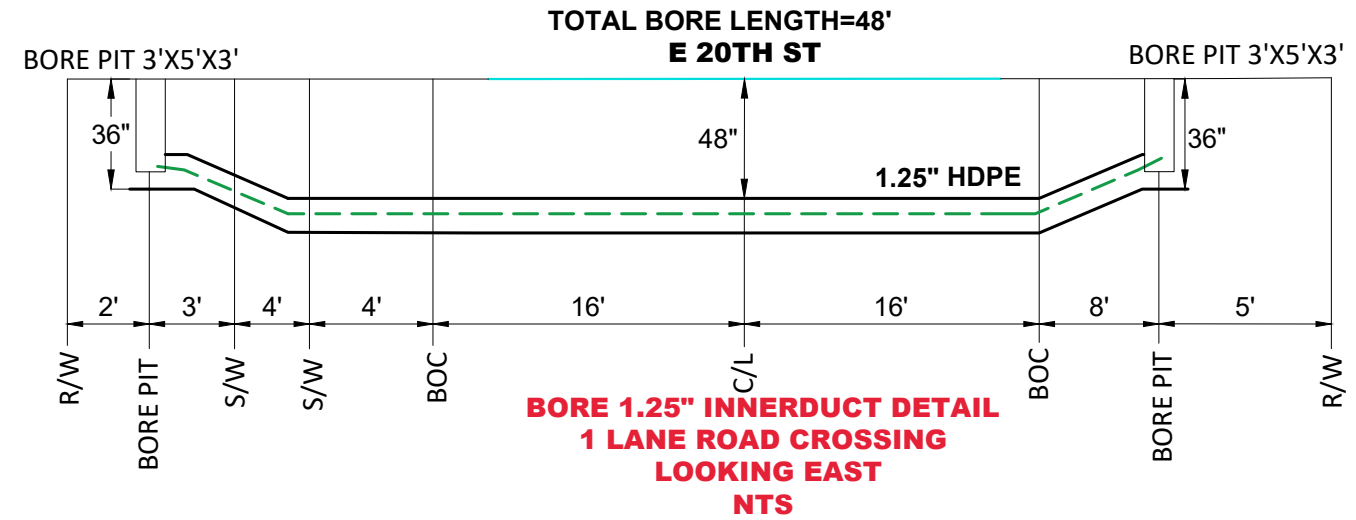
**BURIED CABLE DETAIL  
PARALLELING ROW  
LOOKING NORTH  
NTS**

**PROFILE "C" FROM SHEET 3**



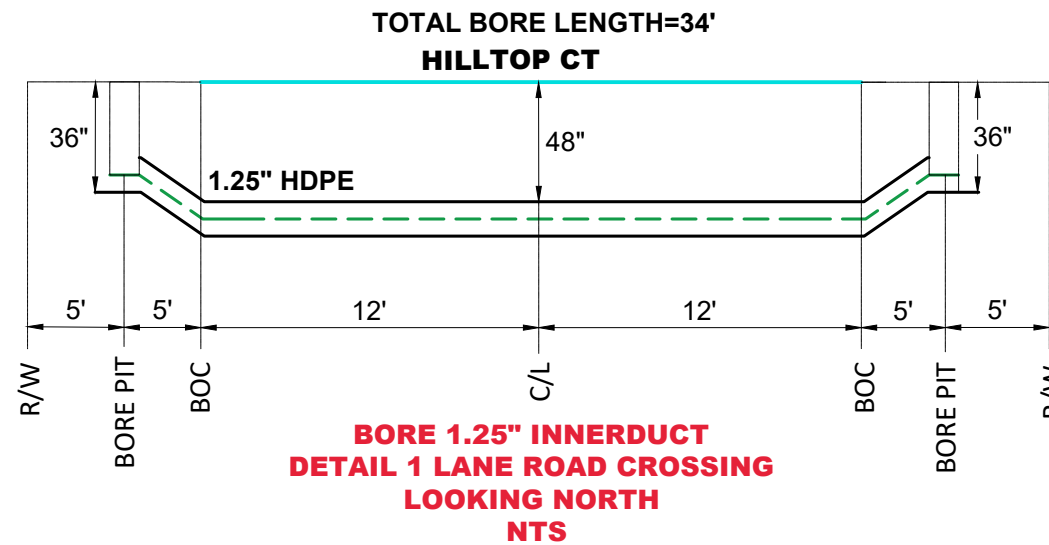
**BURIED CABLE DETAIL  
PARALLELING ROW  
LOOKING EAST  
NTS**

**PROFILE "B" FROM SHEET 3**



**BORE 1.25" INNERDUCT DETAIL  
1 LANE ROAD CROSSING  
LOOKING EAST  
NTS**

**PROFILE "D" FROM SHEET 3**



**BORE 1.25" INNERDUCT  
DETAIL 1 LANE ROAD CROSSING  
LOOKING NORTH  
NTS**

**LEGEND**

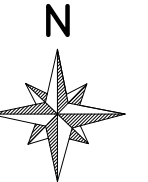
- PROPOSED CONDUIT
- PROPOSED BURIED FIBER
- AERIAL PROPOSED FIBER WITH NEW STRAND
- AERIAL PROPOSED FIBER WITH EXISTING STRAND
- EXISTING STRAND
- RIGHT OF WAY
- BACK OF CURB
- EDGE OF PAVEMENT
- CENTER LINE
- SIDEWALK
- R/W/S/W
- EXISTING WS PEDESTAL
- PROPOSED WS PEDESTAL
- EXISTING COPPER WS PEDESTAL
- REMOVED WS PEDESTAL
- BORE PIT
- POWER POLE



DATE CREATED: 4/27/26

DATE REVISED:

DRAWN BY: RAMTECH



SCALE:1.50:1.50

COMPANY:  
Windstream

SYSTEM:  
CRETE, NE

PROJECT NUMBER:  
715062334

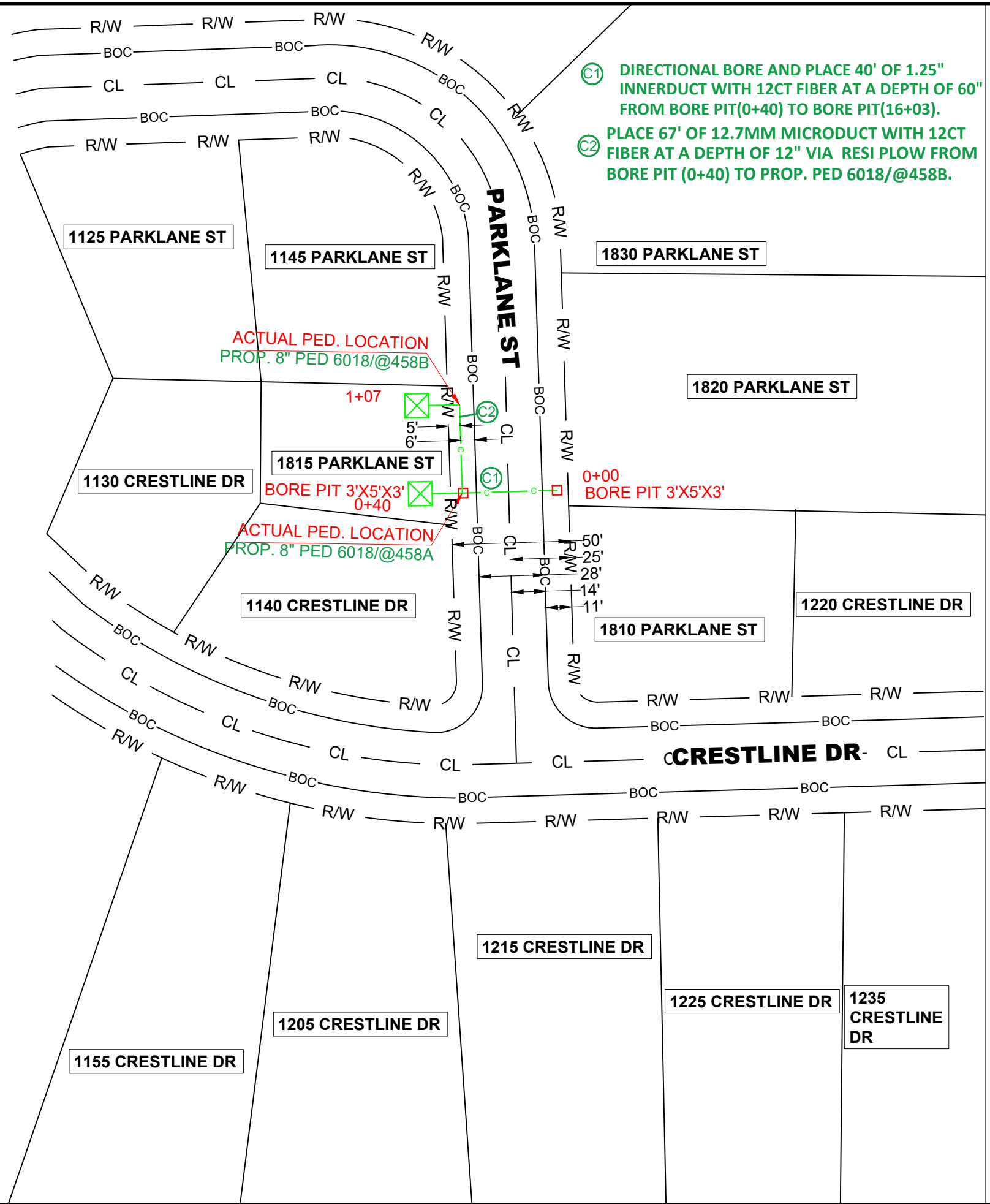
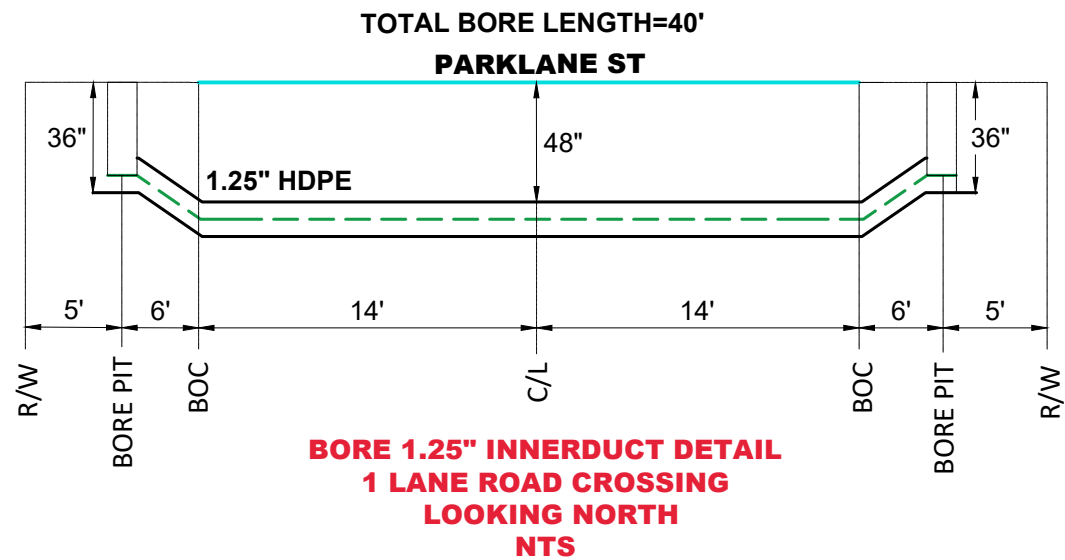
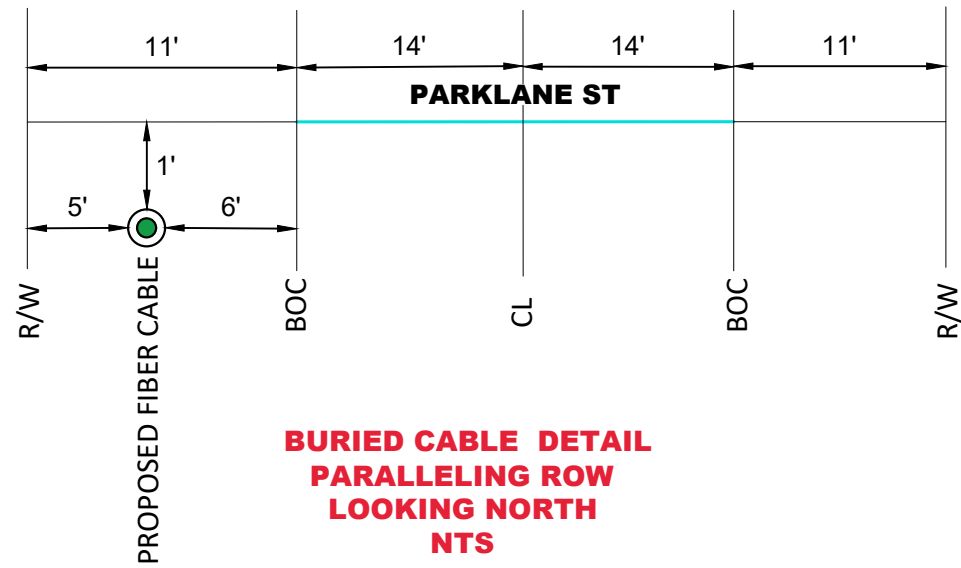
DESCRIPTION:  
FTTP GPON PERMIT

MAP:

3A OF 6

**RAMTECH**





**LEGEND**

- PROPOSED CONDUIT
- PROPOSED BORED FIBER
- AERIAL PROPOSED FIBER WITH NEW STRANDS
- AERIAL PROPOSED FIBER WITH EXISTING STRANDS
- RIGHT OF WAY
- BACK OF CURB
- EDGE OF PAVEMENT
- CENTERLINE
- SIDEWALK
- R/W SW

- EXISTING WS PEDESTAL
- PROPOSED WS PEDESTAL
- EXISTING COPPER WS PEDESTAL
- REMOVED WS PEDESTAL
- BORE PIT
- POWER POLE

DATE CREATED: 4/27/26  
 DATE REVISED:  
 DRAWN BY: RAMTeCH

SCALE: 1:50 = 1:50

COMPANY: Windstream

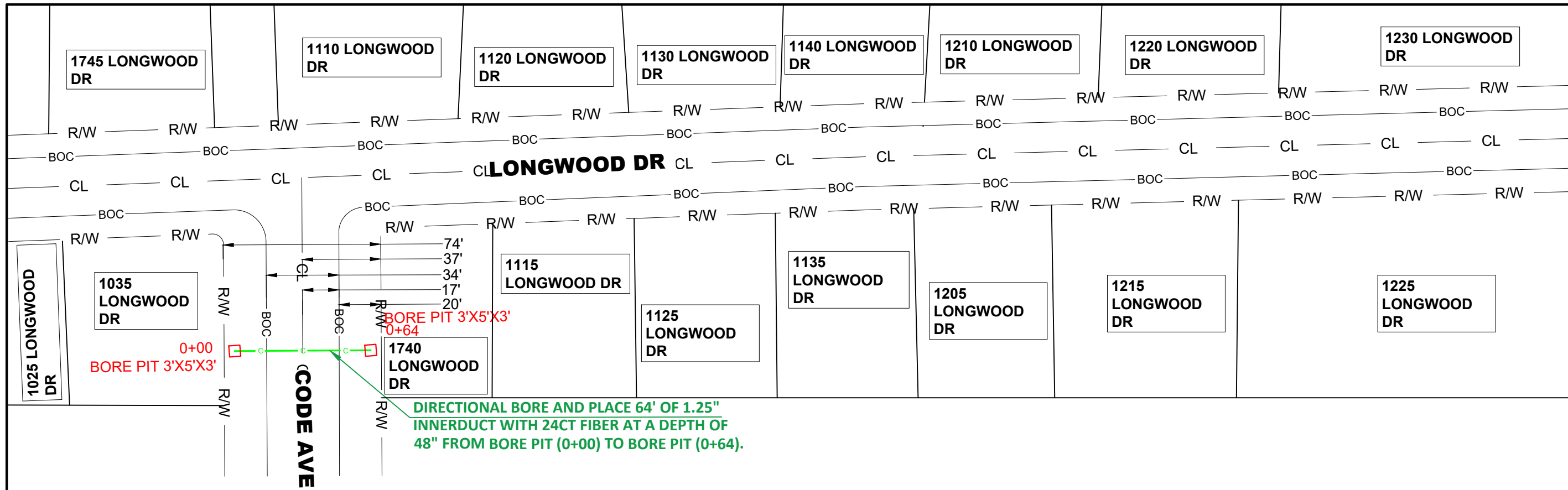
SYSTEM: CRETE, NE

PROJECT NUMBER: 715062334

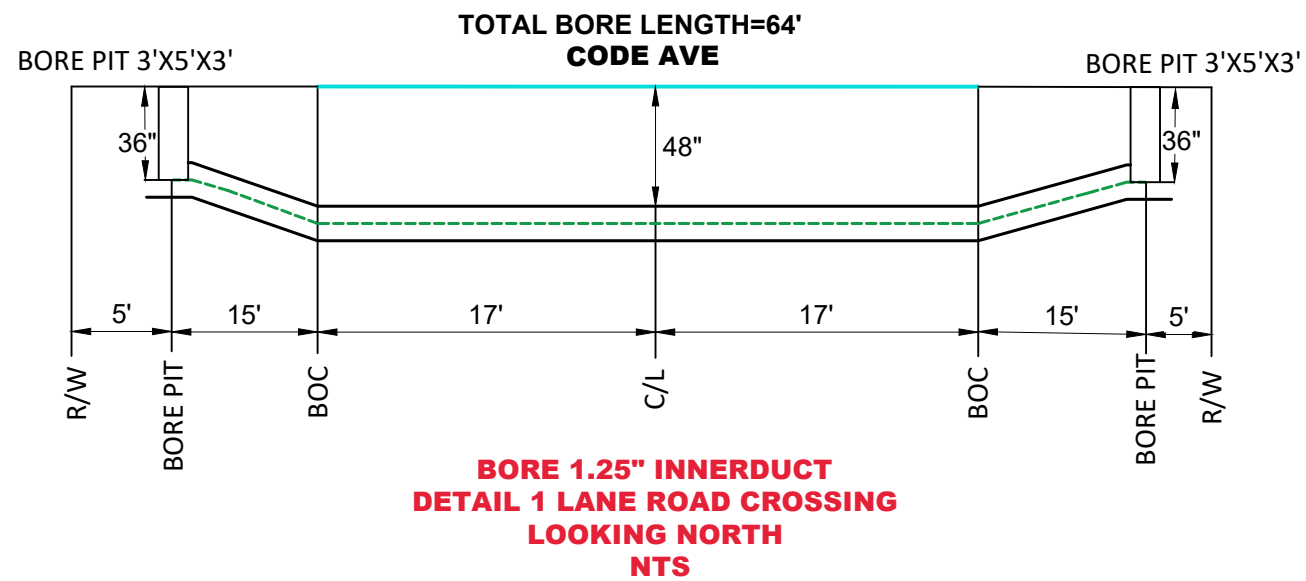
DESCRIPTION: FTTP GPON PERMIT

MAP: 5 OF 6

**RAMTeCH**



DIRECTIONAL BORE AND PLACE 64' OF 1.25" INNERDUCT WITH 24CT FIBER AT A DEPTH OF 48" FROM BORE PIT (0+00) TO BORE PIT (0+64).

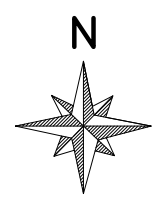


**LEGEND**

- PROPOSED CONDUIT
- PROPOSED BUREL FIBER
- AERIAL PROPOSED FIBER WITH NEW STRANDS
- AERIAL PROPOSED FIBER WITH EXISTING STRANDS
- RIGHT OF WAY
- BACK OF CURB
- EDGE OF PAVEMENT
- CENTERLINE
- SIDEWALK
- R/W/SW
- EXISTING WS PEDESTAL
- PROPOSED WS PEDESTAL
- EXISTING COPPER WS PEDESTAL
- REMOVED WS PEDESTAL
- BORE PIT
- POWER POLE



DATE CREATED: 4/27/26  
DATE REVISED:  
DRAWN BY: RAMTeCH



SCALE:1.50=50

COMPANY:  
Windstream

SYSTEM:  
CRETE, NE

PROJECT NUMBER:  
715062334

DESCRIPTION:  
FTTP GPON PERMIT

MAP:  
**6 OF 6**

**RAMTeCH**